

## Model 450 Mounted Sentry with Outlet Plenum



Model # SS-450-MSP

The **Model 450 Mounted Sentry with Outlet Plenum** is primarily used to exhaust filtered air or create a positive pressure environment. When exhausting the air, a 9" diameter exhaust collar allows filtered air to be directed outside or into your central exhaust system or ducting. When this unit is combined with **HEPA or ULPA filtration**, it can also be utilized to create positive pressure where clean air flow is required on enclosures or compact clean rooms. This system also has the option of remaining ductless to recirculate filtered air back into the immediate area.

Typical applications for this unit include: *chemical and solvent fume extraction, laser marking, printing fumes, soldering fumes, particulate extraction, positive pressure airflow, positive pressure clean room, sterile assembly, pharmaceutical powder control, chemical fume exhaust, enclosed machinery mounting*, and many other applications that produce *particulate, smoke, dust, and fumes*.

High-quality filter media for this unit is customized depending on the application being performed, but typically includes **HEPA filters** [up to 99.97% efficiency on particles 0.3 microns and larger], **ULPA filters** [up to 99.9995% efficiency on particles 0.12 microns and larger], **ASHRAE filters** [up to 95% efficiency on particles 0.5 microns and larger], **Activated Carbon filters**, and **specialty-blended filtration media** [i.e. Acid Gas, Mercury, Aldehyde, Ammonia]. The **Mounted Sentry with Outlet Plenum** allows multiple filter media to be housed inside the filter chamber for applications that emit both particulates and fumes.

This unit is also available in three smaller models [SS-200-MSP, SS-300-MSP, & SS-400-MSP], and one model without the outlet plenum [SS-450-MS].

### Product Features

- Variable speed controller (115V only)
- On/Off toggle switch (220V only)
- Mounting brackets
- Quiet, reliable, and low maintenance operation
- Low power consumption
- Long filter life
- Simple, quick "no tool" filter change
- **Optional:** magnehelic gauge, hour counter



SS-200-MSP Shown Above

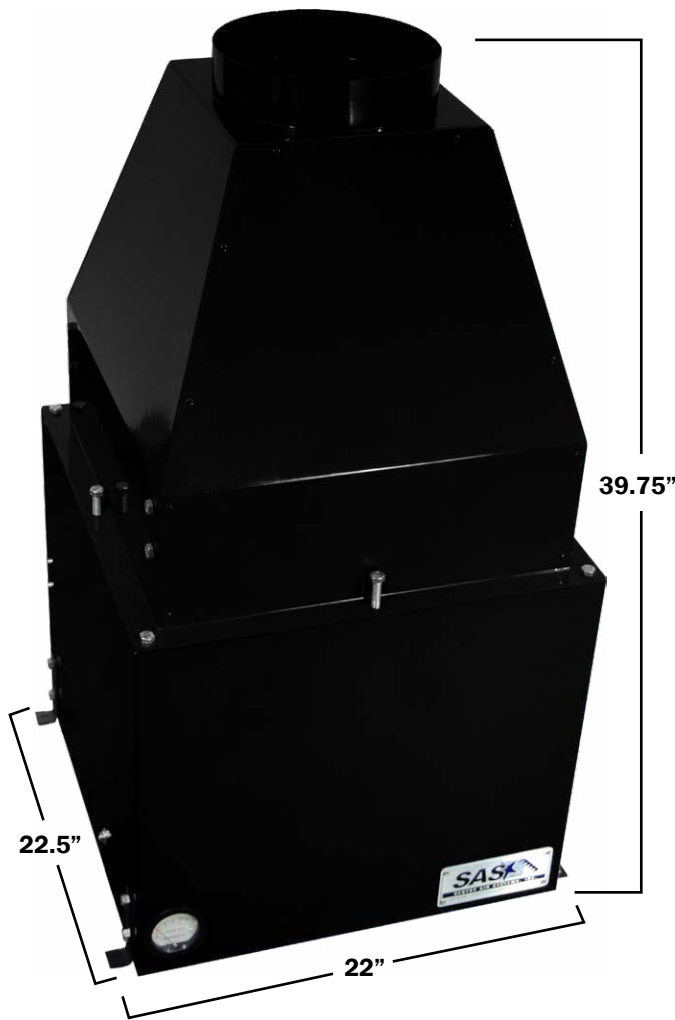


21221 FM 529 Rd, Cypress, TX 77433  
1.800.799.4609 • sales@sentryair.com

[www.sentryair.com](http://www.sentryair.com)

# Fume & Particulate Removal

## Product Specifications



Dimensions are approximate  
Shown with optional accessories



21221 FM 529 Rd  
Cypress, TX 77433  
1.800.799.4609  
sales@sentryair.com

[www.sentryair.com](http://www.sentryair.com)

<b>Base Unit Dimensions</b>	<b>Length:</b> 22.5" (w/ control box) <b>Width:</b> 22" (w/ brackets) <b>Height:</b> 39.75" (w/inlet & outlet)
<b>Inlet Configurations</b>	6" or 10" diameter
<b>Outlet Configuration</b>	9" diameter
<b>Cabinet Material</b>	16 Ga. carbon steel
<b>Weight (approximately)</b>	62 - 112 lbs.
<b>Air Volume (approximately)</b>	High – 950 CFM Low – 50 CFM
<b>Electrical</b>	115/1/60, 10.7 amps 220/1/50, 5.35 amps 8' grounded power cord with NEMA 5-15P plug
<b>Sound Level (at 3' from inlet)</b>	Approx. 72 dba (High)
<b>Main Filter Options</b>	Depending on the Application: <b>HEPA</b> [up to 99.97% efficiency on particles 0.3 microns and larger] <b>ASHRAE</b> [up to 95% efficiency on particles 0.5 microns and larger] <b>ULPA</b> [up to 99.9995% efficiency on particles 0.12 microns and larger] <b>Activated Carbon</b> <b>Specialty-Blended Filter Media</b> [i.e. Acid Gas, Mercury, Aldehyde, Ammonia]
<b>Limited Warranty (From Date of Shipment)</b>	Limited two year warranty on defects due to materials or workmanship. Limited six month warranty on fan/motor assembly.
<b>Patent #</b>	5,843,197